



AYRGON 2.0

RENTAL INDOOR & OUTDOOR LED DISPLAY





OVERVIEW

Although the AYRGON 2.0 is designed for rental purposes, it can also fit permanent installations both indoor or outdoor. Its many user friendly features make it easy to integrate or to dismantle, and it allows for many different applications thanks to its curve locking system. Furthermore, the maintenance process of the AYRGON 2.0 is designed to be quick and easy.



APPLICATION
Indoor / Outdoor



INGRESS PROTECTION
IP30 (indoor)
IP65 (outdoor)



PIXEL PITCH
P2.8 P3.9 (indoor)
P3.9 (outdoor)



DISPLAY AREA (L x H)
500 x 500 mm
500 x 1000 mm



BRIGHTNESS
≤ 900 NITS (indoor)
≤ 4500 NITS (outdoor)



WEIGHT
8.6 - 16 kg/cabinet



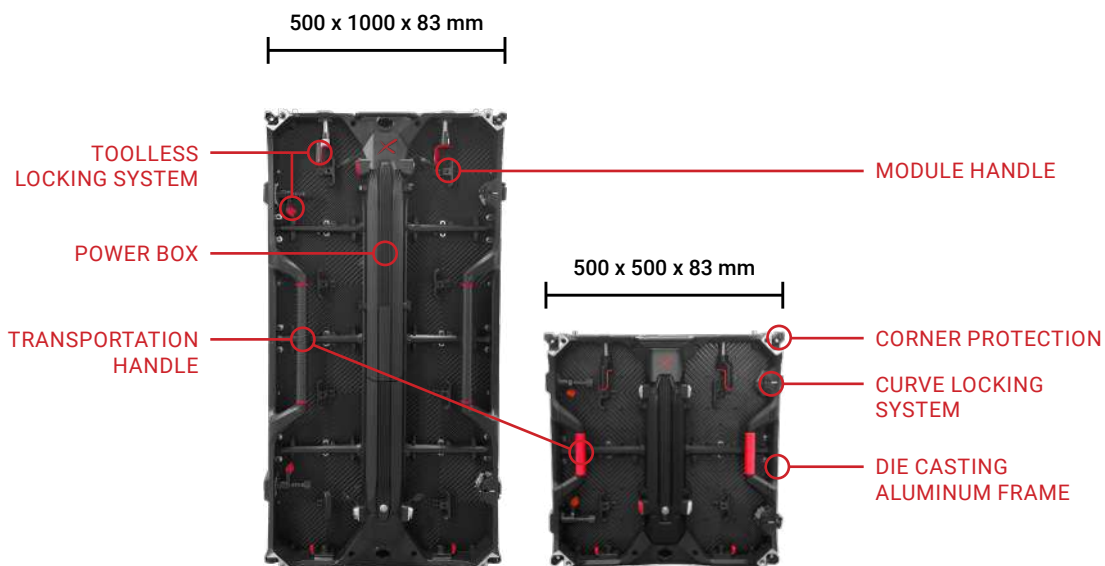
MATERIAL
Die-casting aluminum



MAINTENANCE
Front & back maintenance



FEATURES



CURVE, 90° AND FLOOR OPTIONS

The AYRGON 2.0 supports concave and convex vertical curves thanks to its toolless locking system (2.5° and 5°). The maintenance can be done from the front or from the back of the cabinet, which means that the AYRGON 2.0 can fit a floor integration with the appropriate protection. We also propose cabinets with frames cut at a 45° angle to fit 90° angle applications.

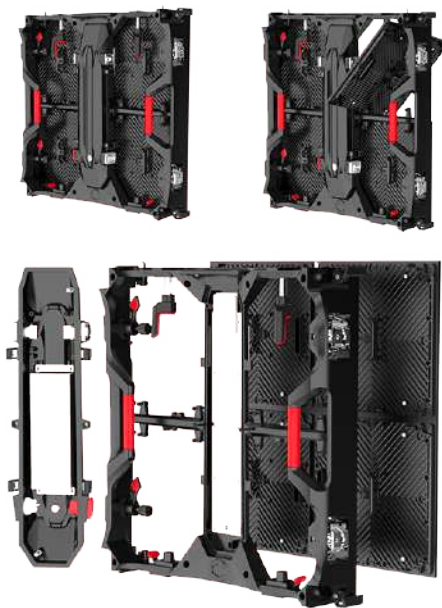
90° ANGLES AND CURVES



FLOOR OPTION AVAILABLE



EASY INTEGRATION



INTEGRATION & MAINTENANCE

With toolless cabinet locking systems, curve locking systems and intelligent back & front access systems, the AYRGON 2.0 is meant to be quick and easy to integrate, to disassemble and to maintain. One technician is enough for both of these processes, making this product an ideal touring solution.

STURDY CABINETS

The AYRGON 2.0 is designed to be light and durable, with integrated corner protections that can assure the integrity of the display during transport. Even though it was conceived for rental purposes, the IP30 (indoor) and IP65 (outdoor) of the AYRGON 2.0 make it suitable for permanent applications as well.





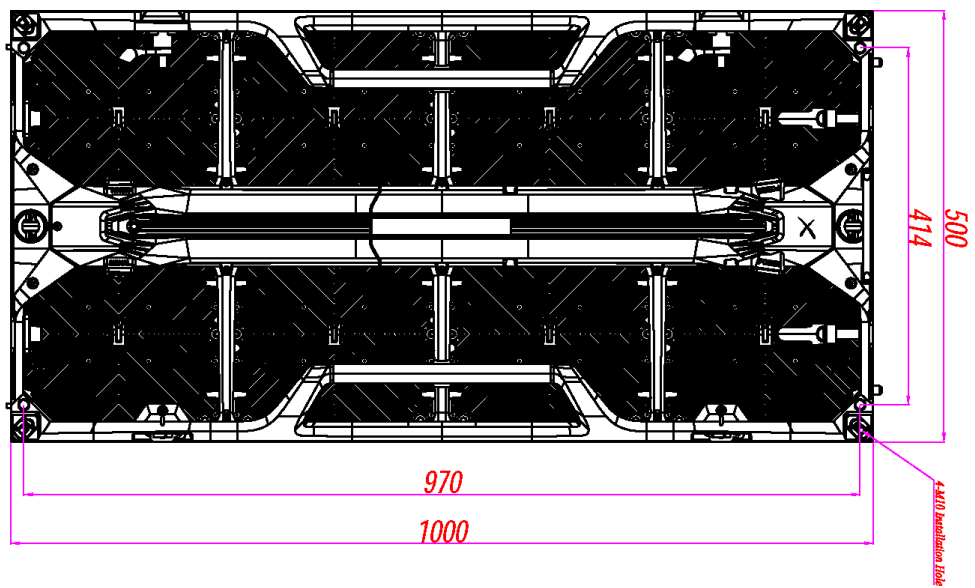
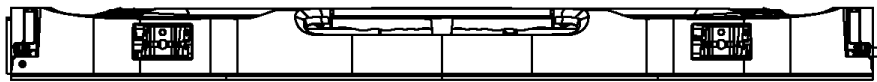
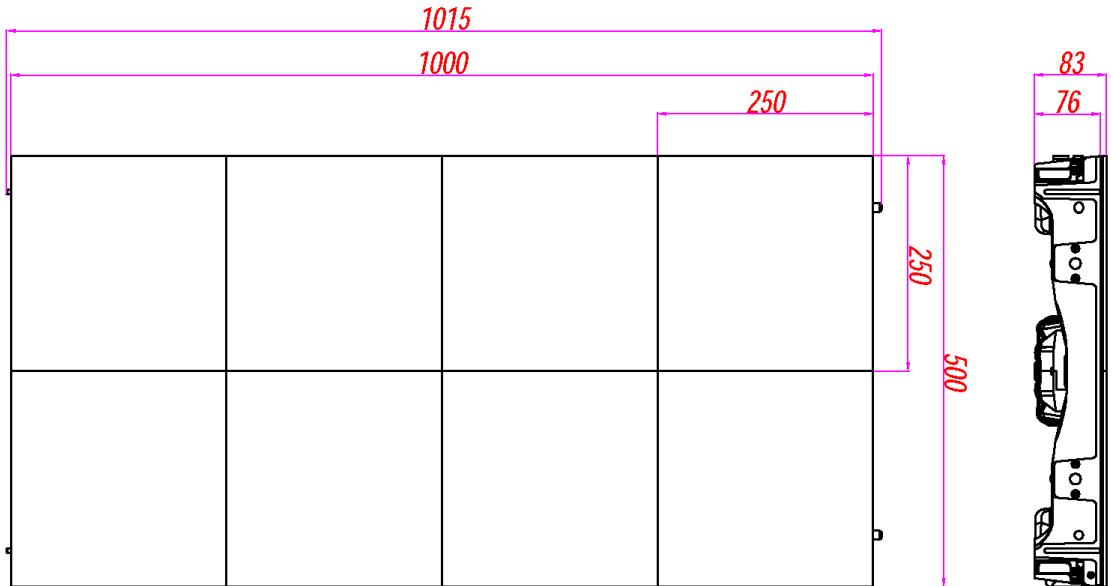
TECHNICAL SPECIFICATIONS

Product Parameters	Unit	INDOOR		OUTDOOR
		2.8	3.9	3.9
Pixel Pitch	mm	2,84	3,91	3,91
LED		SMD2020 (Full Black Face)		SMD1921 (Full Black Face)
Application		Evolution of Ayrگون (touring system)		
Ingress Protection	IP	IP30		IP65
Brightness	cd/sqm	≤ 900 Nits @5volts		≤ 4500 Nits @5volts
Color Temperature after calib (adjustable)	deg. K	6500		
Viewing Angle (50% brightness)	deg.	140(+/-70) H / 140 V		
Cabinet Size (WxHxD)	mm	500 x 500 x 83	500 x 500 x 83 / 500 x 1000 x 83	
Display area (WxH)	mm	500 x 500	500 x 500 / 500 x 1000	
Module Size (WxHxD)	mm	250 x 250 x 15		
Pixel Matrix Per Cabinet (WxH)	px	176 x 176	128 x 128 / 128 x 256	128 x 128 / 128 x 256
Pixel Matrix Per Module (WxH)	px	88 x 88	64 x 64	64 x 64
Pixel Density	px/sqm	123904	65536	65536
Weight of cabinet and modules	kg	8.6 / 16		
Cabinet Material		Die-casting aluminum		
Maintenance Mode		Back & Front		
Mask specification		95% Plastic + 5% Fiber / SS Screws / Shaders		
Contrast Ratio		High		
Grey scale (linear)	bit	16		
Brightness control	bit	16		
Processing depth	bit	16		
Color		281 Trillions		
Display Refresh Rate	Hz	3840		
Operation Power	V	AC85-230V		
Max. Power Consumption	W/sqm	600	750	
Average Power Consumption	W/sqm	200	250	
Control Mode		Synchronization		
Video Frame Rate	Hz	50/60Hz		
Input Types Supported		DVI / SDI / HDMI		
3D ready (optional)		Yes		
Calibration		Yes		
Lifetime (50% brightness)	h	50000		
Operating Humidity Range		10-95%		
Operating Temperature Range		-10°C / +50°C	-20°C / +60°C	
Screen Uniformity Correction		Below 0.0001 (Out of Control point)		
Certification		CE / ETL / CCC		
Features		Corner Protection		
Compatibility		Yes		



TECHNICAL DRAWINGS

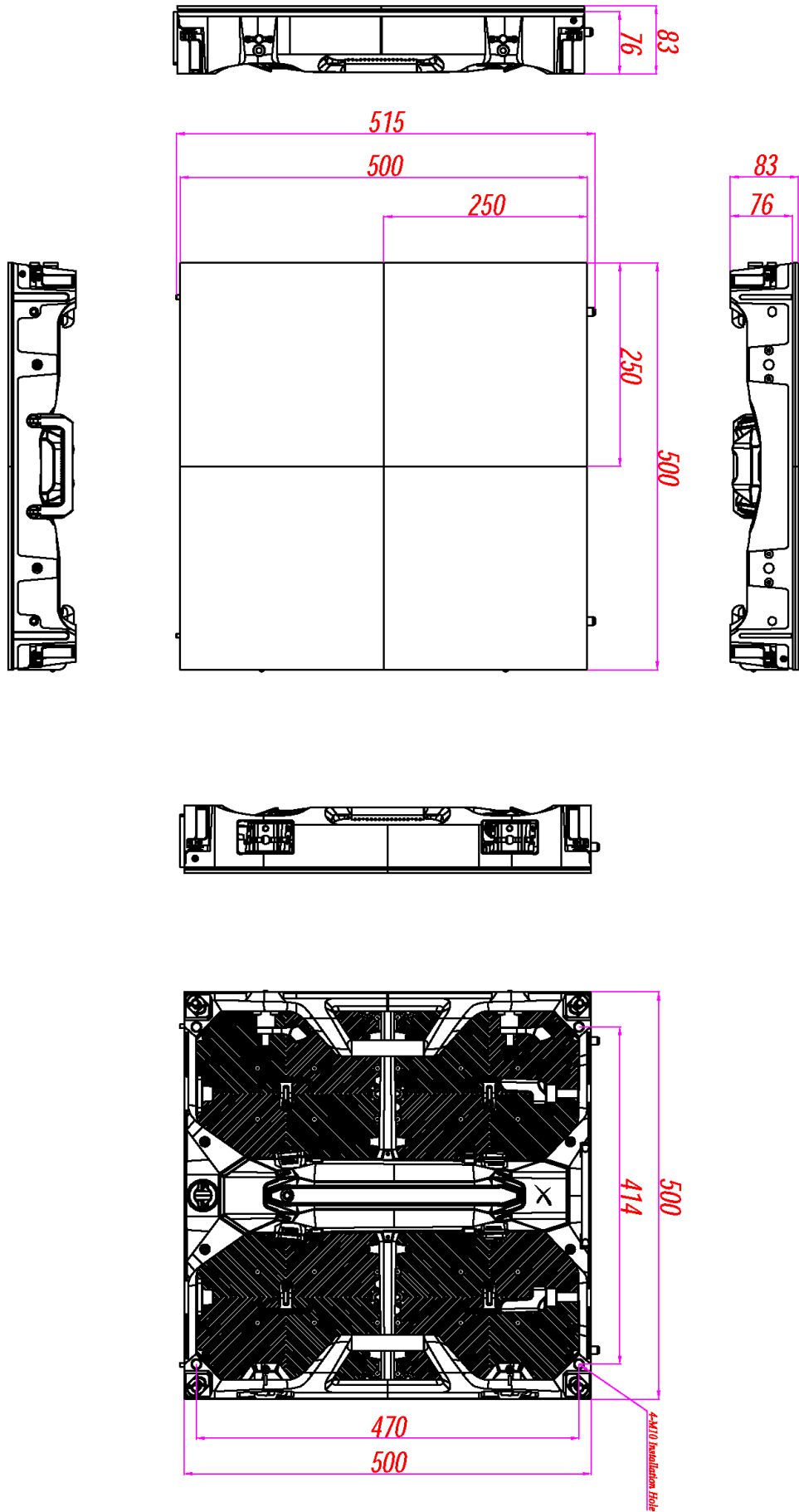
500 X 1000 X 83 MM





TECHNICAL DRAWINGS

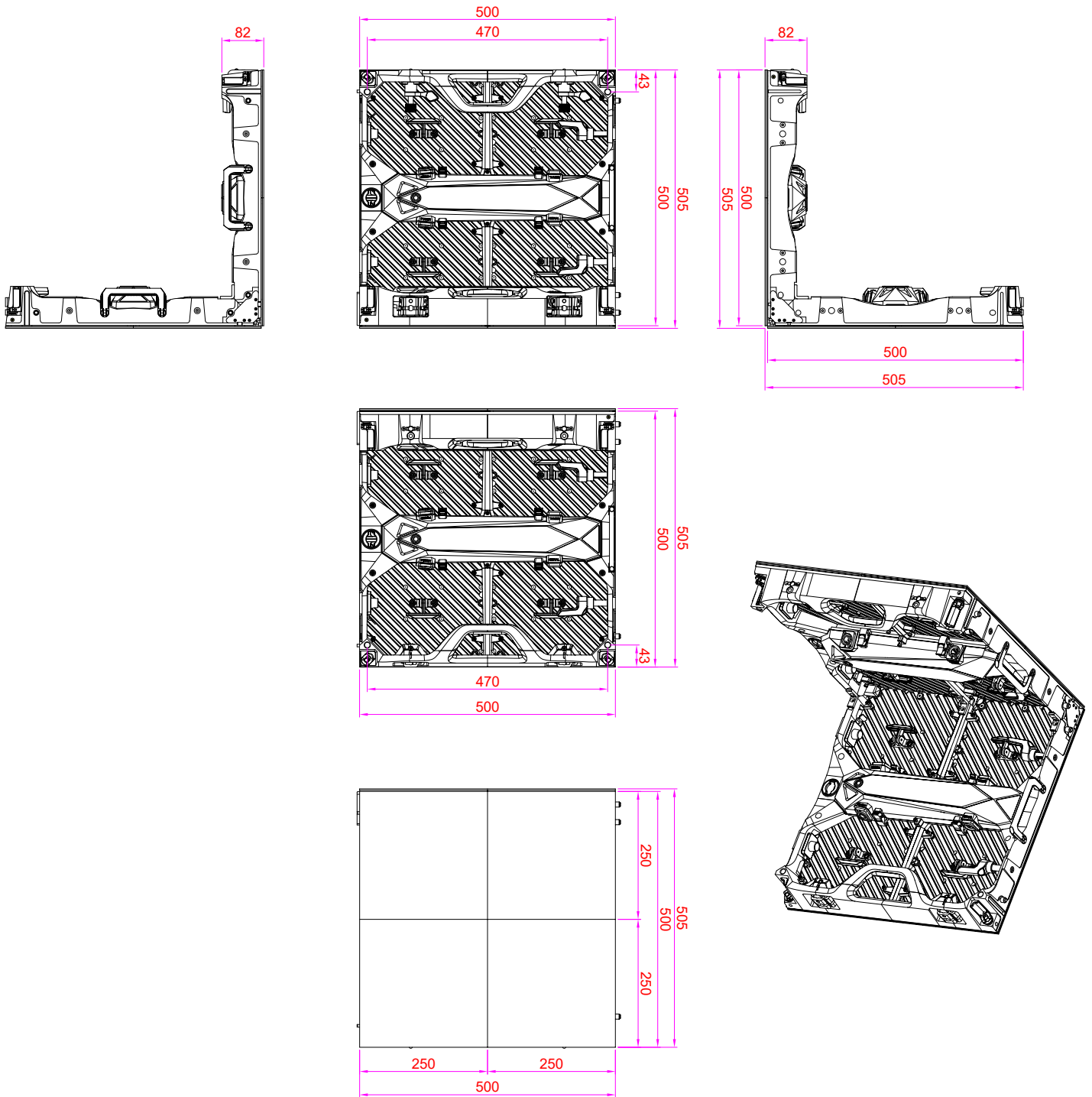
500 X 500 X 83 MM





TECHNICAL DRAWINGS

90° CABINET





CONTACT

The Artixium regional branches are the key for the growth and development of our global network all over the world. Artixium's team is a spectrum of different nationalities and cultures, reflecting their global presence and mindset, mak-

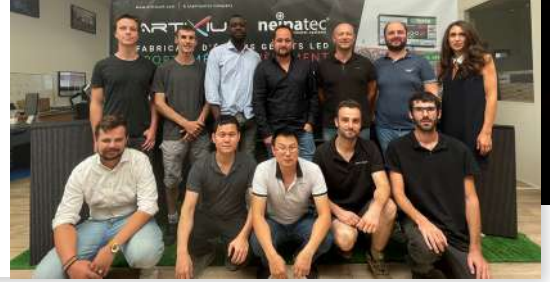
ing their communication smooth and hassle-free with clients from all around the world. Customer care, Innovation and flexibility has always been our values and we intend to keep this reputation for many years to come.

ARTIXIUM FRANCHISES

"From your project's conception to its completion."



112 Avenue Franklin Roosevelt
69120 Vaulx-en-Velin
France



Artixium Operational Center
518000 Shenzhen
China




Weissensteinstrasse 90b,
46149 Oberhausen
Germany




Merkez Mah. Baglar Cad. A
Blok Apt. No: 14D/13 Kagithane, Istanbul
Turkey



 www.artixium.com

 0 428 001 801

 [linkedin.com/company/artixium](https://www.linkedin.com/company/artixium)

 twitter.com/artixium

 contact@artixium.com

 [youtube.com/@artixium](https://www.youtube.com/@artixium)

 [facebook.com/artixium](https://www.facebook.com/artixium)

 [instagram.com/artixium](https://www.instagram.com/artixium)



Since its creation in 2012 by two european entrepreneurs, Artixium has been evolving and always looking for innovative ways to contribute to the digital transition of our world. It only took a few years for Artixium to become a key player in the LED display industry.

www.artixium.com